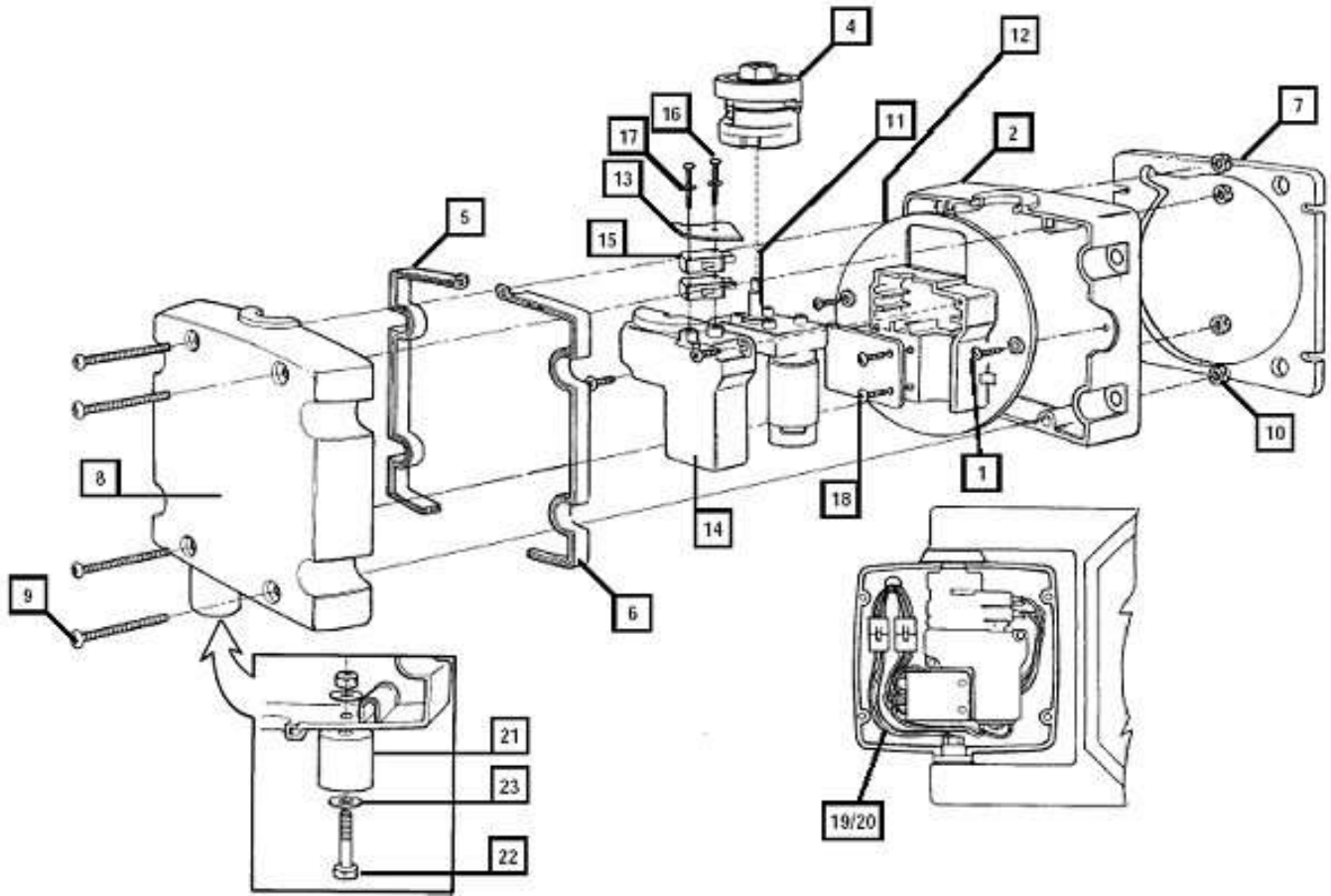


X-GATES (REPLACEMENT PARTS) BY: TRANSPEC



SAFETY CROSS™ DRIVE MECHANISM - MODEL 4000 - PARTS LIST

1	NBPTRA2100-B	Screws - Special
2	NBPTRA 4000	Mechanism Base
3	NBPTRA 4000-001	Motor Cradle Assy. (not shown)
4	NBPTRA 4000-019	Clutch Assy.
5	NBPTRA 4001	Gasket - Motor Hsg. L.H.
6	NBPTRA 4002	Gasket - Motor Hsg. R.H.
7	NBPTRA 4005	Gasket - Mechanism Base
8	NBPTRA 4010	Cover - Mechanism
9	NBPTRA 4020	Screw - Phillips Cover
10	NBPTRA 4030	Nut - Hex Lock
11	NBPTRA 4040	Drive Motor
12	NBPTRA 4050	Motor Cradle
13	NBPTRA 4055	Switch Cover Plate
14	NBPTRA 4060	Cradle Cover
15	NBPTRA 4110	Micro Switch
16	NBPTRA 4120	Screw Phillips
17	NBPTRA 4125	Lock Washer
18	NBPTRA 4324	Wire Harness w/Relay Module
19	NBPTRA 4321	Wire harness Tail (42")
20	NBPTRA 4327	Wire Harness Tail (176")
21	NBPTRA 4521	Rubber Bumper
22	NBPTRA 4522	Bolt
23	NBPTRA 4523	Washer